



**ROTARY
CYLINDER**

High-Speed Air Cylinder with Non-Through-Hole

AY-R series

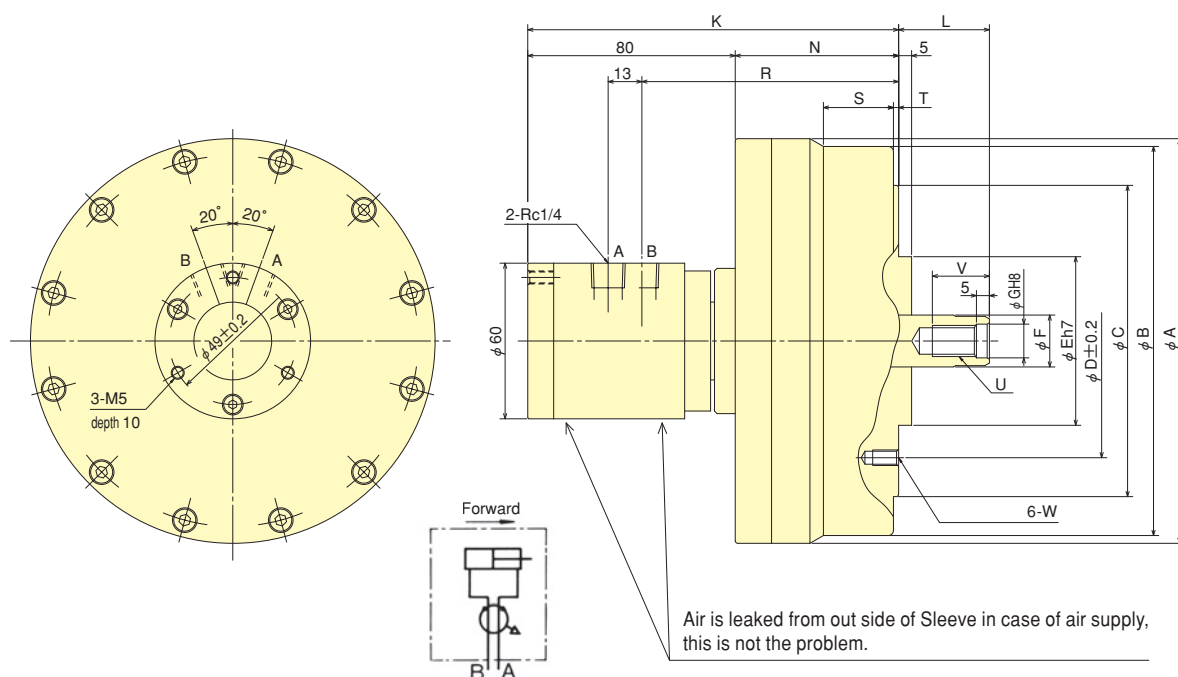
■ Ideally for extremely thin walled work-pieces

- Secure operation even at low thrust

Air cylinder for machining easily deformed thin work-pieces



■ Dimensional Drawings



■ Dimensions

Model	A	B	C	D	E (h7)	F	G (H8)	K	L max.	L min.	N	R	S	T	U	V	W depth
AY1315R	156	150	120	90	65	20	13	143	35	20	63	99	27	2	M12	22	M 6×11
AY1720R	200	195	140	100	80	25	17	162	65	45	82	118	45	5	M16	30	M10×16
AY2225R	255	245	170	130	110	30	21	173	71	46	93	129	33	5	M20	35	M12×20

■ Specifications ※Draw bar pull force : air pressure 0.5MPa [at efficiency 75%]

Model	Piston stroke mm	Piston Area		Draw bar		Max operation pressure MPa	Max. Speed min ⁻¹	Net Weight kg	Moment of inertia kg·m ²
		Push Side cm ²	Pull Side cm ²	Push Side kN	Pull Side kN				
AY1315R	15	131	128	4.9	4.8	0.8	5000	5.0	0.010
AY1720R	20	227	220	8.5	8.2	0.8	5000	8.2	0.028
AY2225R	25	378	371	14.1	13.9	0.8	4000	9.8	0.080