



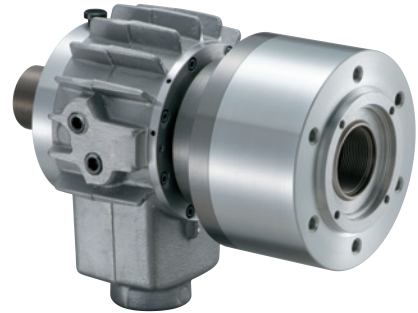
**ROTARY
CYLINDER**

High-Speed Hydraulic Cylinder with Through-Hole

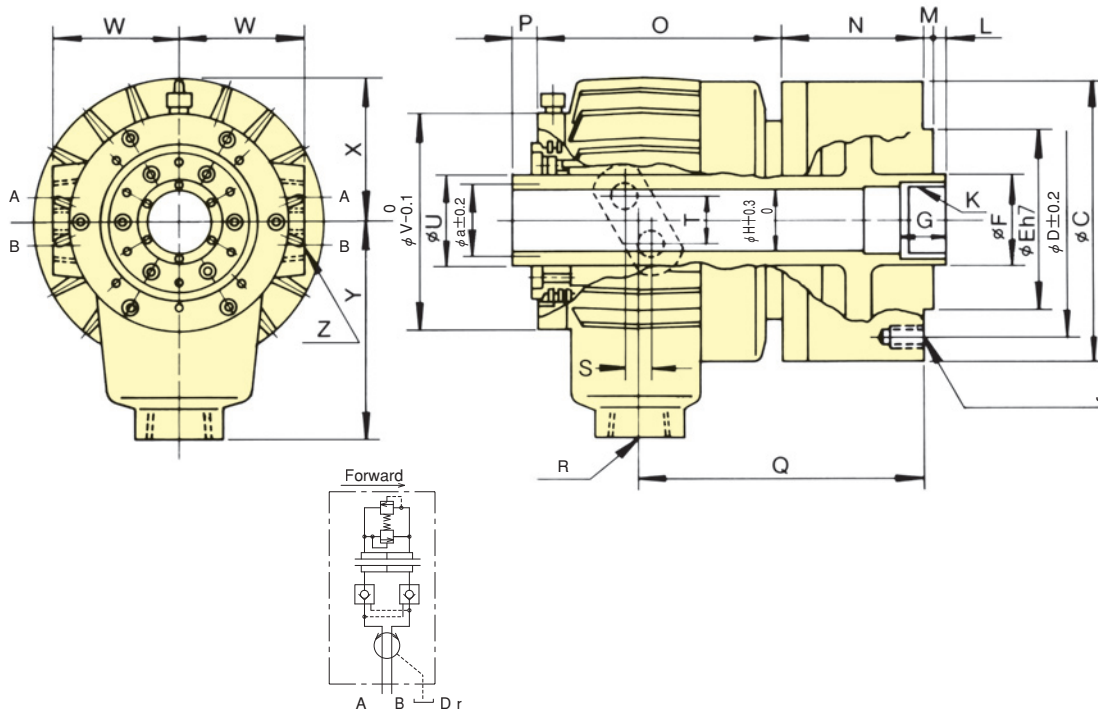
F series

KITAGAWA standard thru-hole type

- Built-in check valve and relief valve
- Coolant collector and confirmation devices are available as an option
- ※ Please refer to P62 about options.
- ※ CE correspondence (Only series with checking device)



Dimensional Drawings



Dimensions

Dimensions	C	D	E (h7)	F	G	H Thru-Hole	J depth	K	L max.	L min.	M	N	O	P max.	P min.	Q	R	S	T	U	V	W	X	Y	Z	a
Model																										
F0933H	125	100	80	45	25	33.5	6-M 8x15	M 38x15	7	- 5	5	71	119	41	29	142	Rc ³ /4	11.8	22	M39x1.5	104	64	66	110	2x2-Rc ¹ /4	-
F2511H	310	275	230	140	45	117.5	12-M 16x32	M 130x20	18	- 5	6	101	209	38	15	217	Rc 1	27	20	1346	232	131	135.5	215	2x2-Rc ³ /8	127

Specifications

※ Leakage : Pressure 3.0MPa and oil temperature 50°C. ※ Draw bar pull force : Pressure 4.0MPa

Specifications	Piston stroke mm	Piston Area		Draw bar		Max. Operation Pressure MPa	Leakage ℓ /min	Max. Speed min ⁻¹	Net Weight kg	Moment of inertia kg·m ²
Model		Push Side cm ²	Pull Side cm ²	Push Side kN	Pull Side kN					
F0933H	12	58	55	22.0	20.6	4.0	3.0	8000	8.5	0.008
F2511H	23	348	336	125.0	120.0	4.0	7.0	2800	60.0	0.445