



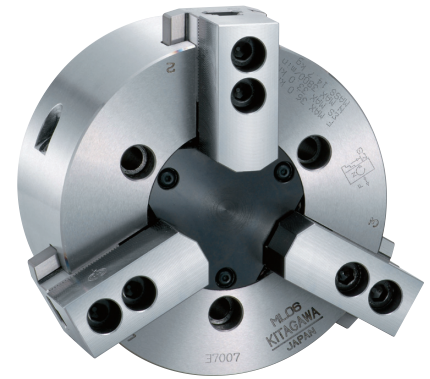
CHUCK

Mega-Long Stroke Chuck

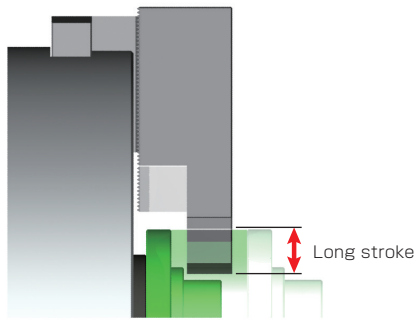
ML series

Exceptionally long Jaw stroke
Suitable for Multi-Diameter gripping and flange work-pieces

*CE correspondence



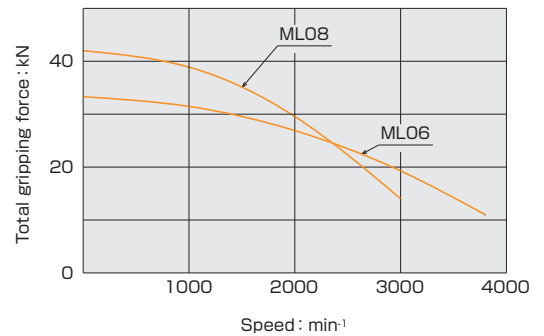
Gripping Example



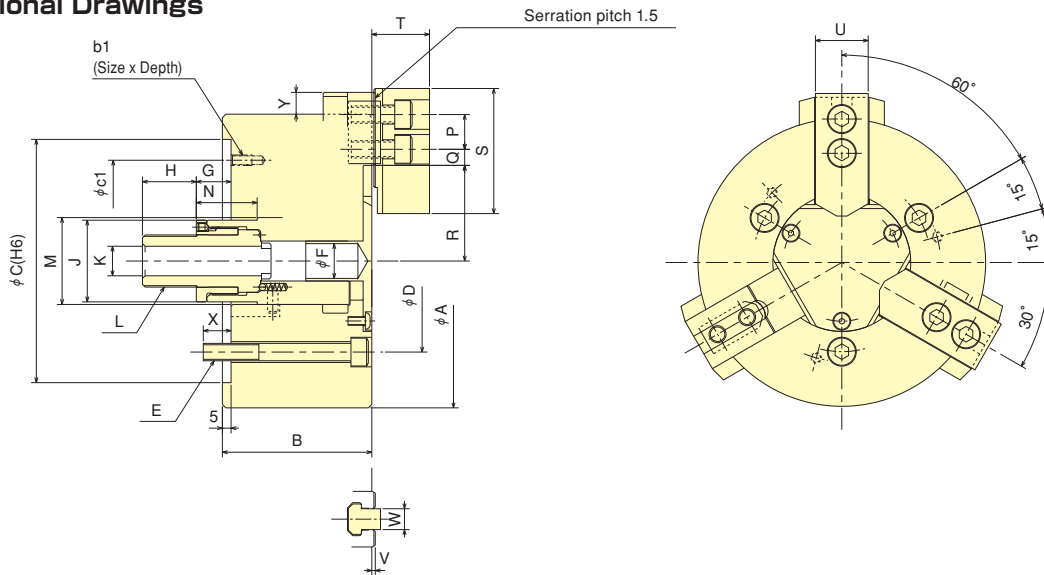
● Suitable for work-pieces with large flange

Gripping Characteristic Graphs

※With standard blank soft top jaw.



Dimensional Drawings



Dimensions

Dimensions	A	B	C	D	E	F	G max.	G min.	H	J	K	L	M	N	P	Q max.	Q min.
Model ML06	169	86	140	104.8	3-M10	20	40	20	31	47	17	M30×1.5	50	35	20	13.75	9.25
Model ML08	215	99	170	133.4	3-M12	20	34	9	34	54	17	M33×1.5	70	29	25	17.75	11.75

Dimensions	R max.	R min.	S	T	U	V	W	X	Y max.	b1	c1
Model ML06	55	35	72	33.2	31	2	12	16	12.5	3-M6×12	116
Model ML08	65.6	40.6	95	39.2	35	2	14	21	12.1	3-M6×12	150

Specifications

※Gripping dia./gripping range is with standard soft jaws.

Specifications	Gripping range mm		Jaw Stroke (diameter) mm	Plunger Stroke mm	Max. Draw Bar Pull Force kN	Max. Gripping Force kN	Max. Speed min ⁻¹	Net Weight with Soft top jaws kg	Moment of inertia kg·m ²	Matching Cylinder	Max. pressure MPa	Matching Soft top jaw
Model ML06	Max. 169	Min. 39	40	20	36.0	33.0	3800	13.7	0.048	Y1225R/RE47	3.46	SJ06B1
Model ML08	Max. 215	Min. 33	50	25	45.0	42.0	3000	26.0	0.167	Y1530R/RE47	3.06	SJ08B1