



CHUCK

Large Power Chuck for Vertical Lathes

NV series

Low maintenance Power Chuck for Vertical Lathes Sealed Base Jaw to prevent Chips and Coolant ingress



Standard Chuck

● **Protection against Swarf and Coolant**

Protector and Scraper at Base Jaw prevent Swarf and Coolant ingress.

● **Standard Jaw**

NV series is compatible with standard Hard and Soft Jaws as sealing is at the Base Jaw.

*CE correspondence

■ **Dimensional Drawings**

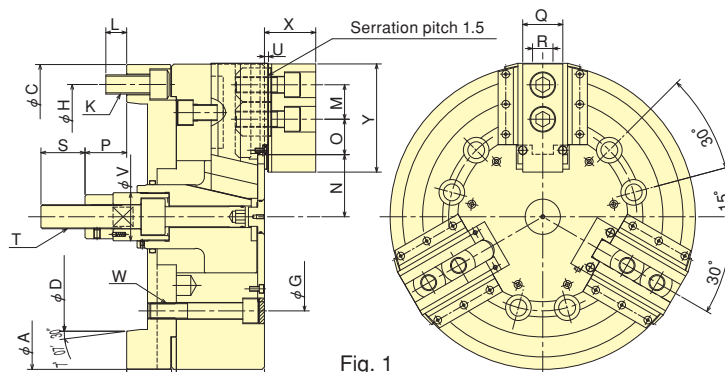


Fig. 1

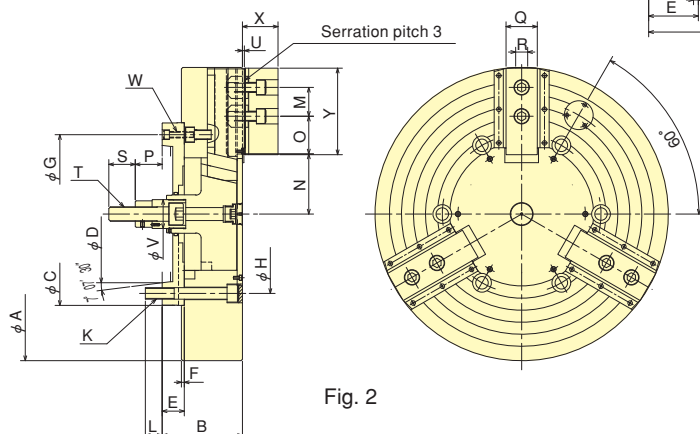
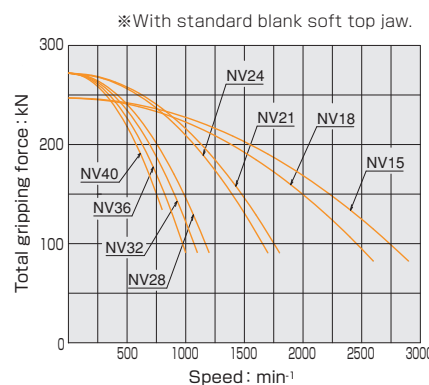


Fig. 2

■ **Gripping Characteristic Graphs**



■ **Dimensions** *NV15&18 are based on Fig.1. NV21~40 are based on Fig.2.

Model	A	B	C	D	E	F	G	H	K	L	M	N max.	N min.	O max.	O min.	P max.	P min.	Q	R	S	T	U	V	W	X	Y
NV15C15	381	172	380	285.775	62	6	235.0	330.2	6-M24	26	43	77.5	69.5	48.75	2325	91	56	50	25.5	55	M30	5	60	6-M20	64	135
NV18C15	450	172	380	285.775	62	6	235.0	330.2	6-M24	26	43	108	100	48.75	2325	91	56	50	25.5	55	M30	5	60	6-M20	64	135
NV21C15	530	167	380	285.775	46	6	330.2	330.2	6-M24	35	60	86	78	93.5	275	91	56	65	25.0	55	M30	6	60	3-M12	74	180
NV24C15	610	167	380	285.775	46	6	330.2	330.2	6-M24	29	60	125	117	93.5	275	91	56	65	25.0	55	M30	6	60	3-M12	74	180
NV28C15	700	167	380	285.775	46	6	330.2	330.2	6-M24	29	60	125	117	141.5	275	91	56	65	25.0	55	M30	6	60	3-M12	74	180
NV32C15	800	167	380	285.775	46	6	330.2	330.2	6-M24	29	60	125	117	189.5	275	91	56	65	25.0	55	M30	6	60	3-M12	74	180
NV36C15	914	167	380	285.775	46	6	330.2	330.2	6-M24	29	60	125	117	249.5	275	91	56	65	25.0	55	M30	6	60	3-M12	74	180
NV40C15	1000	167	380	285.775	46	6	330.2	330.2	6-M24	29	60	125	117	282.5	275	91	56	65	25.0	55	M30	6	60	3-M12	74	180

*The above dimensions are based on A2-15 Spindle Nose. A2-11 Spindle Nose is available.

■ **Specifications** *Gripping dia./gripping range is with standard soft jaws.

Model	Gripping range mm		Jaw Stroke (diameter) mm	Plunger Stroke mm	Max. Draw Bar Pull Force kN	Max. Gripping Force kN	Max. Speed min ⁻¹	Net Weight with Soft top jaws kg	Moment of inertia kg·m ²	Matching Cylinder	Max. pressure MPa	Matching Soft top jaw	Spindle nose size
	Max.	Min.											
NV15C15	381	72	16	35	82	247	2900	139	2.7	Y2035R/RE47	3.2	SJ15N1	A2-15
NV18C15	450	133	16	35	82	247	2600	166	4.1	Y2035R/RE47	3.2	SJ15N1	A2-15
NV21C15	530	69	16	35	82	272	1800	227	7.6	Y2035R/RE47	3.2	SJ18A2	A2-15
NV24C15	610	152	16	35	82	272	1700	282	12.8	Y2035R/RE47	3.2	SJ18A2	A2-15
NV28C15	700	152	16	35	82	272	1200	360	21.9	Y2035R/RE47	3.2	SJ18A2	A2-15
NV32C15	800	152	16	35	82	272	1100	472	37.2	Y2035R/RE47	3.2	SJ18A2	A2-15
NV36C15	914	152	16	35	82	272	1000	594	62.4	Y2035R/RE47	3.2	SJ18A2	A2-15
NV40C15	1000	152	16	35	82	272	800	738	91.5	Y2035R/RE47	3.2	SJ18A2	A2-15

*The above dimensions are based on A2-15 Spindle Nose. A2-11 Spindle Nose is available.