



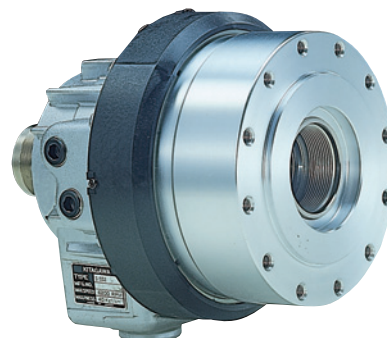
**ROTARY
CYLINDER**

Hydraulic Cylinder with Through-Hole and Long Stroke

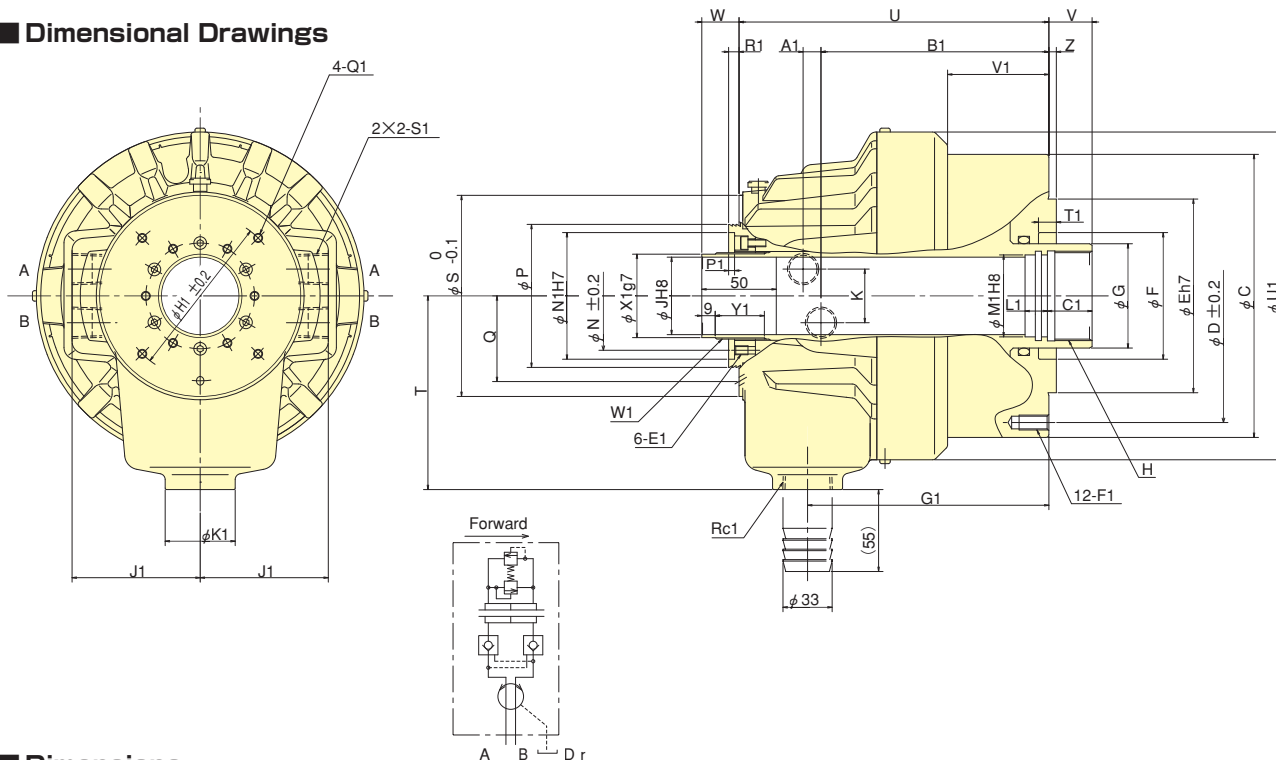
S-L series

KITAGAWA standard thru-hole type

- Long piston stroke
 - Built-in check valve and relief valve
 - Coolant collector and confirmation devices are available as an option
- ※Please refer to P62 about options.
- *CE correspondence (Only series with checking device)



Dimensional Drawings



Dimensions

Dimensions	C	D	E	F	G	H	J Thru-Hole	K	N	P	Q	S	T	U	V max.	V min.	W max.	W min.	Z	A ₁	B ₁
Model																					
S1246L	155	130	100	80	65	M55×2.0	46	36	64	85	51.5	119.5	115	200	27	-5	57	25	5	11.5	147.5
S1552L	190	170	130	85	70	M60×2.0	52	36	73	96	57.5	139.5	130	208	29	-5	59	25	5	12	153
S1875L	215	190	160	120	95	M85×2.0	75	36	98	121	70.5	168	160	241	35	-5	65	25	5	17.5	169.5
S2091L	240	215	180	140	110	M100×2.0	91	34	108	138	79	183.5	185	268	45	-5	75	25	5	21	188

Dimensions	C ₁	E ₁ depth	F ₁ depth	G ₁	H ₁	J ₁	K ₁	L ₁	M ₁	N ₁	P ₁	Q ₁ depth	R ₁	S ₁	T ₁	U ₁	V ₁	W ₁	X ₁	Y ₁
Model																				
S1246L	30	M6×9	M10×20	156	98	76	47	15	50	76	4	M5×10	6	Rc ¹ / ₂	12	200	67	M52×1.5	50	33
S1552L	30	M6×9	M10×20	162	110	86	47	15	55	85	4	M6×12	7	Rc ¹ / ₂	12	220	68	M58×1.5	56	33
S1875L	35	M6×9	M10×20	182.5	155	101	47	15	80	108	4	M6×12	7	Rc ¹ / ₂	12	242	74	M84×2.0	81	33
S2091L	35	M6×14	M12×24	203	165	110	47	15	95	120	4	M6×12	7	Rc ¹ / ₂	12	267	86	M99×2.0	96	38

Specifications

※Leakage : Pressure 3.0MPa and oil temperature 50°C. ※Draw bar pull force : Pressure 4.0MPa

Specifications	Piston stroke mm	Piston Area cm ²		Draw bar kN		Max. Operation Pressure MPa	Max. Speed min ⁻¹	Moment of inertia kg·m ²	Net Weight kg	Leakage ℓ/min
Model		Push Side	Pull Side	Push Side	Pull Side					
S1246L	32	100	89	38.0	33.0	4.0	7000	0.022	12.8	3.0
S1552L	34	161	150	60.0	56.0	4.0	6200	0.058	17.0	3.9
S1875L	40	198	183	74.0	69.0	4.0	4700	0.100	26.8	4.2
S2091L	50	252	234	94.0	88.0	4.0	3800	0.160	34.1	4.5