



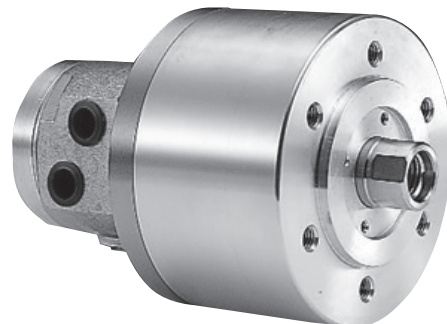
**ROTARY
CYLINDER**

Hydraulic Cylinder with Non-Through-Hole

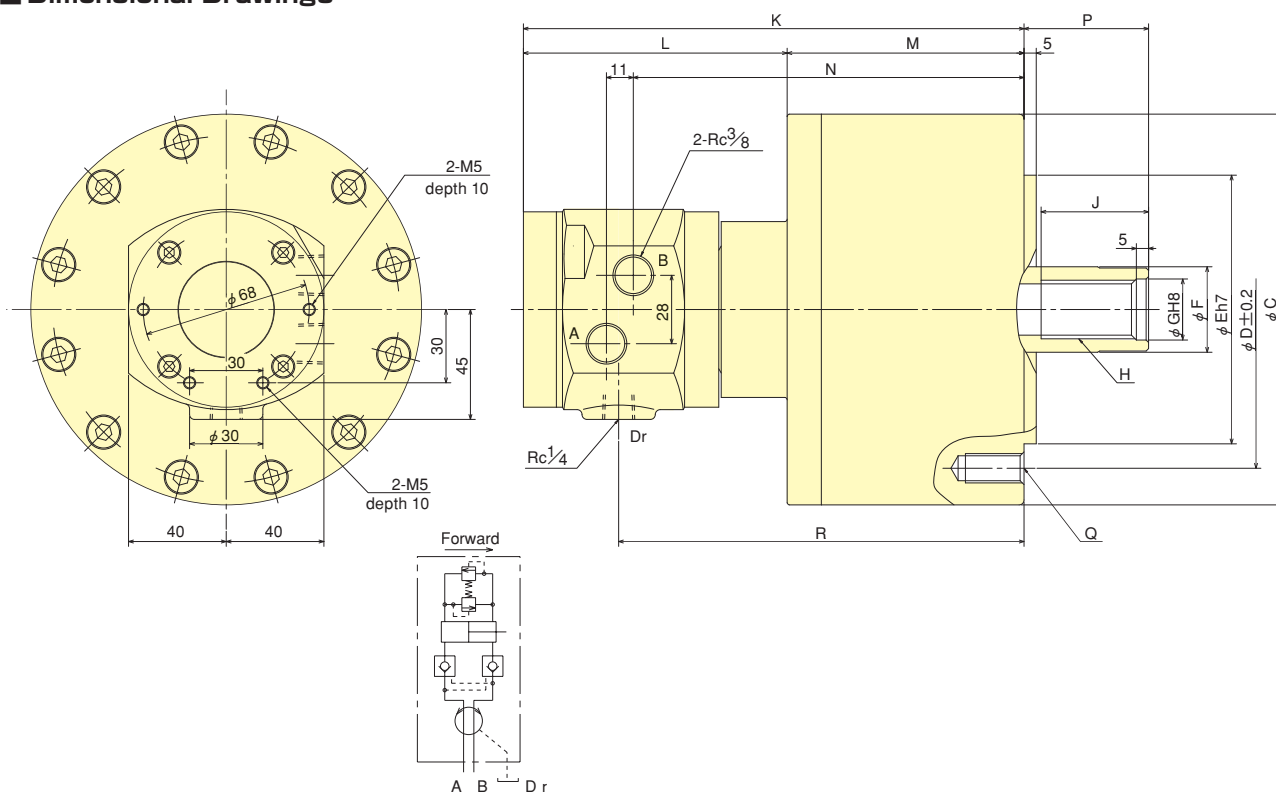
Y-R series

■ KITAGAWA standard non-through-hole type

- Built in safety check valves and pressure relief valves



■ Dimensional Drawings



■ Dimensions

Model	C	D	E	F	G	H	J	K	L	M	N	P max.	P min.	Q depth	R
Y0715R	104	90	65	30	21	M20	35	172	106	66	127	46	31	6-M 6×20	133
Y1020R	135	100	80	30	21	M20	35	197	108	89	152	45	25	6-M10×20	158
Y1225R	160	130	110	35	25	M24	44	205	108	97	160	51	26	6-M12×24	166
Y1530R	190	130	110	45	31	M30	45	214	108	106	169	56	26	12-M12×24	175
Y2035R	245	145	120	55	37	M36	60	228	106	122	183	69	34	12-M16×30	189

■ Specifications

※Draw bar pull force : Pressure 4.0MPa ※Leakage : 3.0MPa and oil temperature 50℃.

Model	Piston stroke mm	Piston Area		Draw bar		Max. Operation Pressure MPa	Leakage ℓ/min	Max. Speed min ⁻¹	Net Weight kg	Moment of inertia kg·m ²
		Push Side cm ²	Pull Side cm ²	Push Side kN	Pull Side kN					
Y0715R	15	44	37	16.6	13.9	4.0	0.8	6000	4.0	0.003
Y1020R	20	86	79	32.0	29.0	4.0	0.8	6000	7.1	0.013
Y1225R	25	122	113	46.0	42.0	4.0	0.8	6000	10.0	0.023
Y1530R	30	176	160	66.0	60.0	4.0	0.8	5500	13.5	0.048
Y2035R	35	314	290	117.0	108.0	4.0	0.8	5500	22.0	0.098



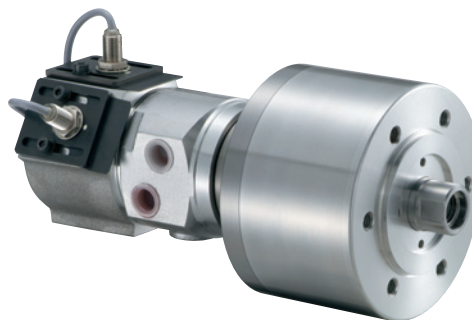
**ROTARY
CYLINDER**

Hydraulic Cylinder with Non-Through-Hole (proximity switches can be attached)

Y-RE series

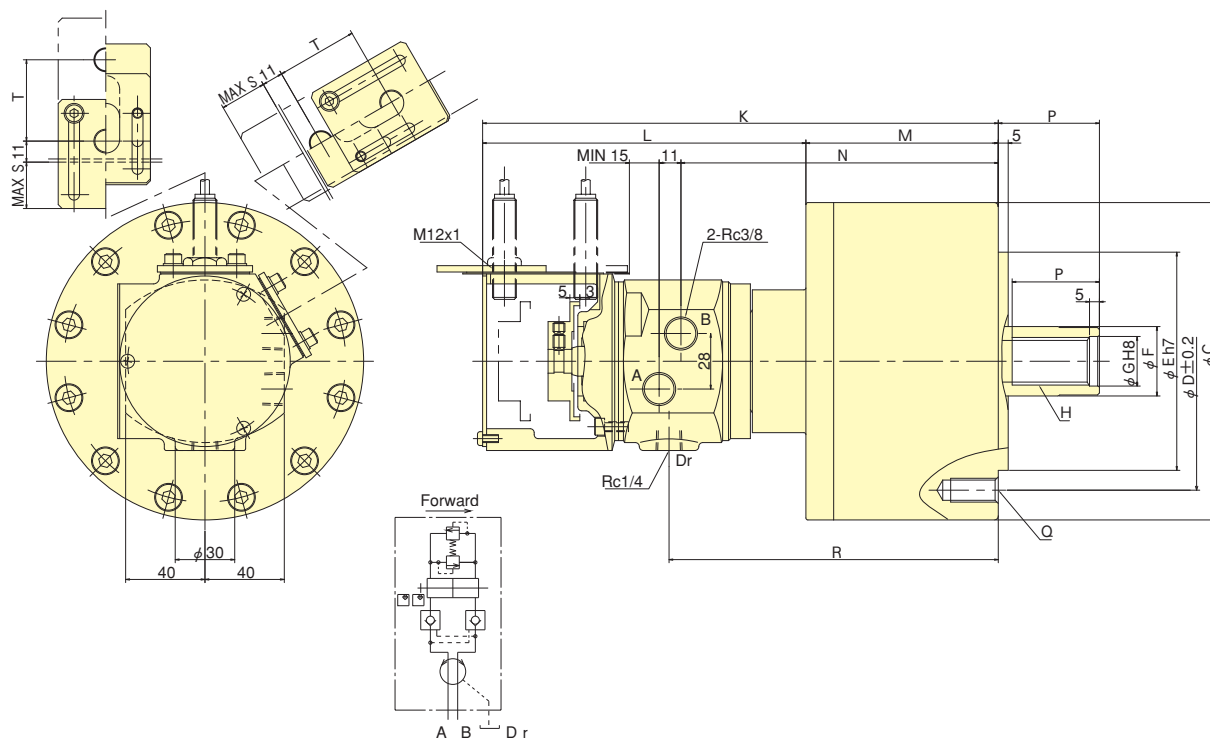
KITAGAWA standard non-through-hole type Stroke position can be confirmed

- Built-in check valve and relief valve
 - Linear sensor switches can be attached (option)
- ※ Linear sensor specifications may not be available depending on the machine manufacturer. Please confirm with the manufacturer.
- * CE correspondence



The proximity switch is optional.
Determine the appropriate type according to the controller type and dimension drawing.

Dimensional Drawings



Dimensions

Model	C	D	E	F	G	H	J	K	L	M	N	P max.	P min.	Q depth	R	S	T
Y0715RE01C	104	90	65	30	21	M20	32	227	161	66	127	46	31	6-M 6×20	133	23	41
Y1020RE47	135	100	80	30	21	M20	35	252	163	89	152	45	25	6-M10×20	158	23	41
Y1225RE47	160	130	110	35	25	M24	44	260	163	97	160	51	26	6-M12×24	166	23	41
Y1530RE47	190	130	110	45	31	M30	45	269	163	106	169	56	26	12-M12×24	175	23	41
Y2035RE47	245	145	120	55	37	M36	60	288	166	122	183	69	34	12-M16×30	189	28	46

Specifications

※ Draw bar pull force : Pressure 4.0MPa ※ Leakage : 3.0MPa and oil temperature 50°C.

Model	Piston stroke mm	Piston Area		Draw bar		Max. Operation Pressure MPa	Leakage ℓ /min	Max. Speed min ⁻¹	Net Weight kg	Moment of inertia kg·m ²
		Push Side cm ²	Pull Side cm ²	Push Side kN	Pull Side kN					
Y0715RE01C	15	42	37	15.9	13.9	4.0	0.8	6000	4.5	0.003
Y1020RE47	20	84	79	31.0	29.0	4.0	0.8	6000	7.6	0.013
Y1225RE47	25	120	113	45.0	42.0	4.0	0.8	6000	10.5	0.023
Y1530RE47	30	174	160	65.0	60.0	4.0	0.8	5500	14.0	0.048
Y2035RE47	35	312	290	117.0	108.0	4.0	0.8	5500	22.5	0.098