

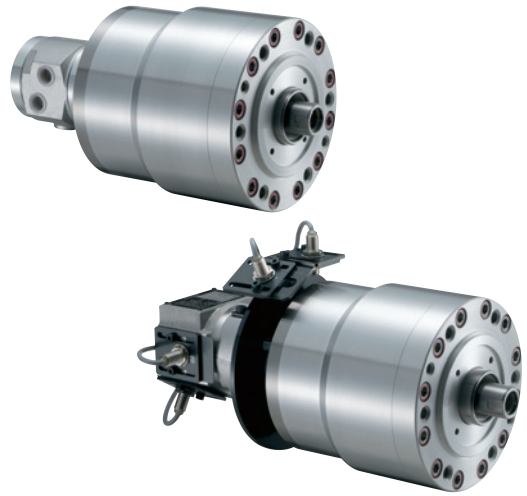


**ROTARY
CYLINDER**

Tandem Cylinder YW-R series

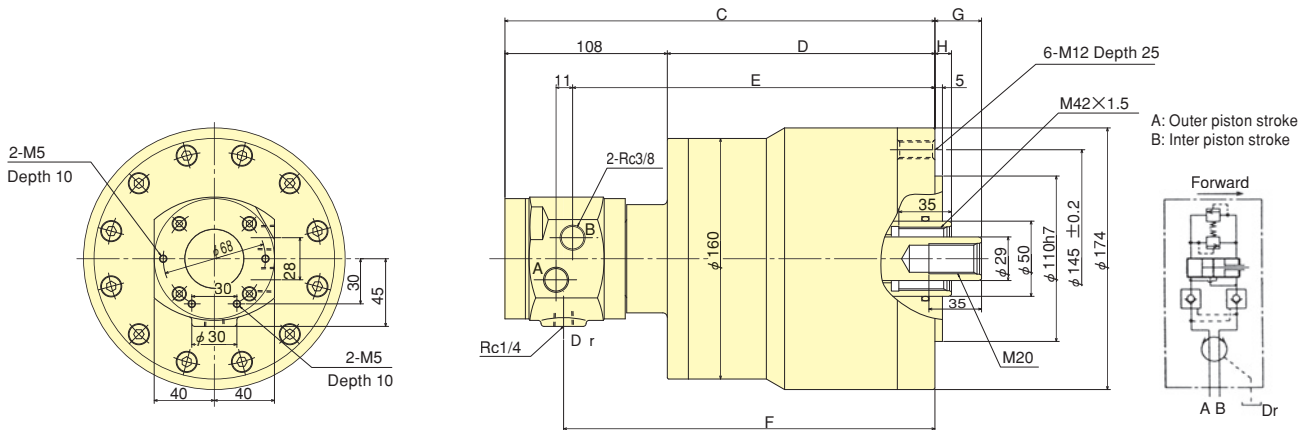
Best suited for HW-series chucks

- YW-R Built-in check valve and pressure relief valve
- YW-RE Built-in check valve, pressure valve and proximity switches
- *CE correspondence (YW-RE)

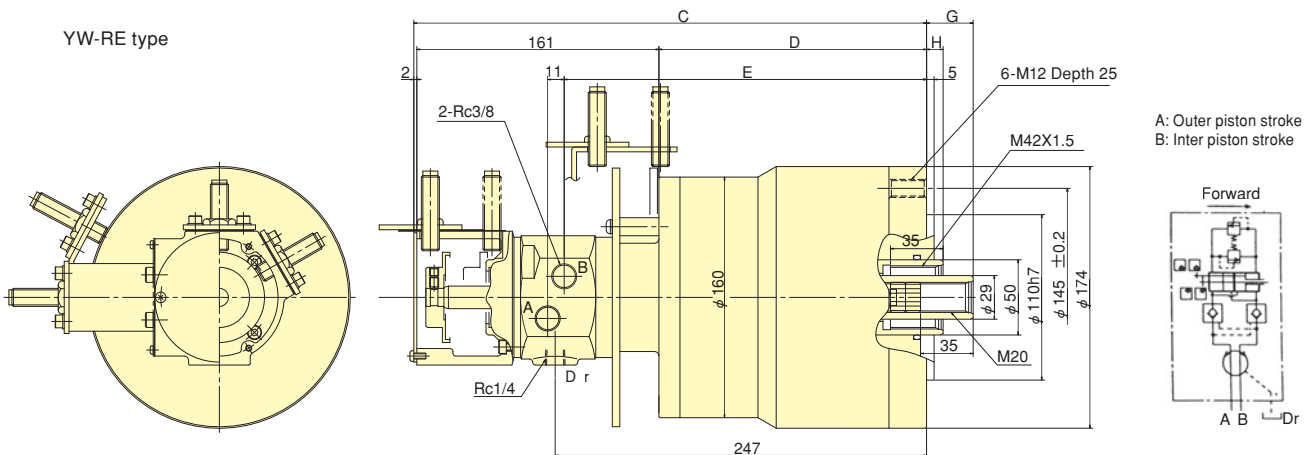


Dimensional Drawings

YW-R type



YW-RE type



Dimensions

Model	A	B	C	D	E	F	G max.	G min.	H max.	H min.
YW1220R	20	20	276	168	231	237	61	41	36	16
YW1225R	25	25	286	178	241	247	56	31	36	11
YW1220RE	20	20	331	168	231	237	61	41	36	16
YW1225RE	25	25	341	178	241	247	56	31	36	11

Specifications

*Draw bar pull force : Pressure 3.0MPa *Leakage : 3.0MPa and oil temperature 50°C.

Model	Piston stroke mm	Piston Area		Draw bar pull force		Max. Operation Pressure MPa	Leakage ℓ /min	Max. Speed min ⁻¹	Net Weight kg	Moment of inertia kg·m ²
		Push Side cm ²	Pull Side cm ²	Push Side kN	Pull Side kN					
YW1220R	20	126	113	33.0	31.0	3.0	0.7	5000	15.3	0.043
YW1225R	25	126	113	33.0	31.0	3.0	0.7	5000	15.5	0.044
YW1220RE	20	123	113	32.0	31.0	3.0	0.7	5000	16.3	0.044
YW1225RE	25	123	113	32.0	31.0	3.0	0.7	5000	16.5	0.045